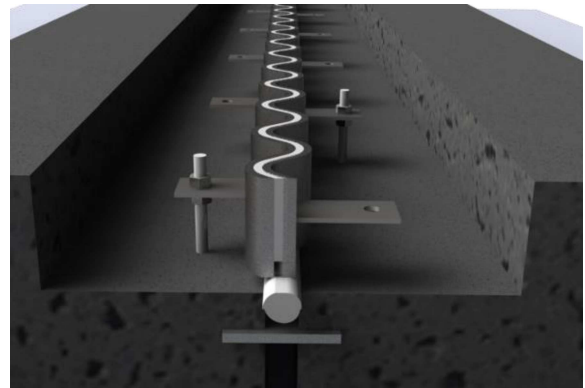
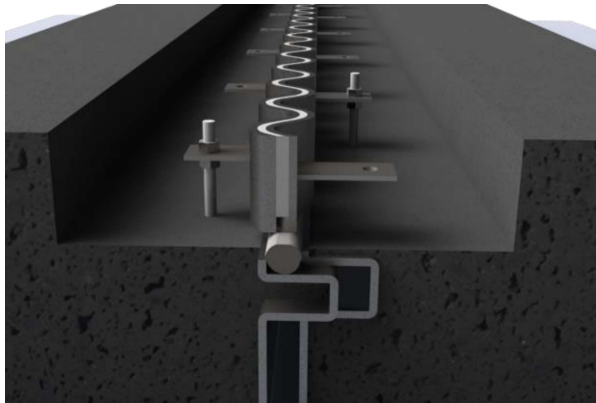


## HC-Sinus Slide® repair joint Technical sheet



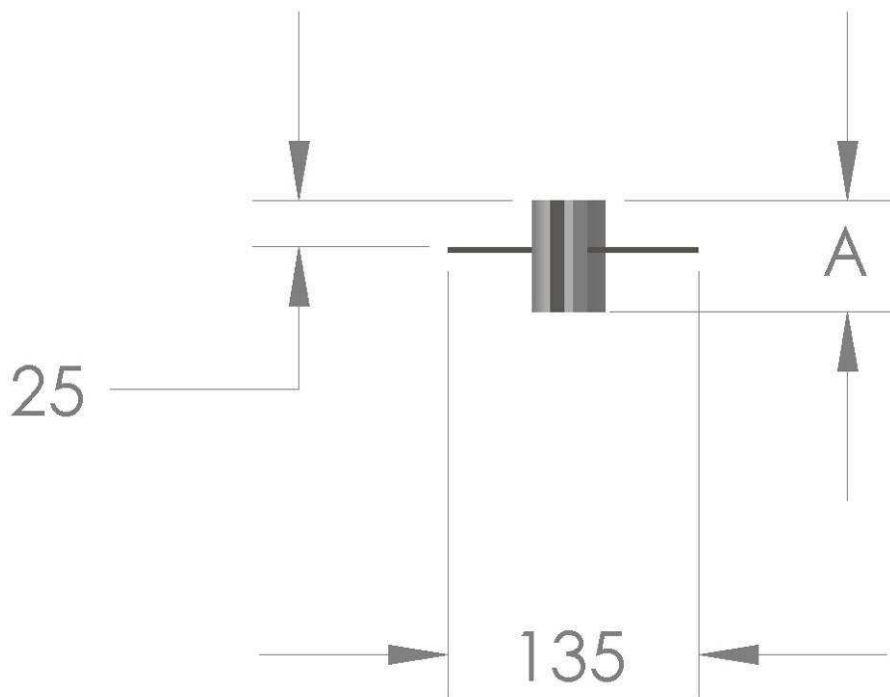
## *Description and technical characteristics*

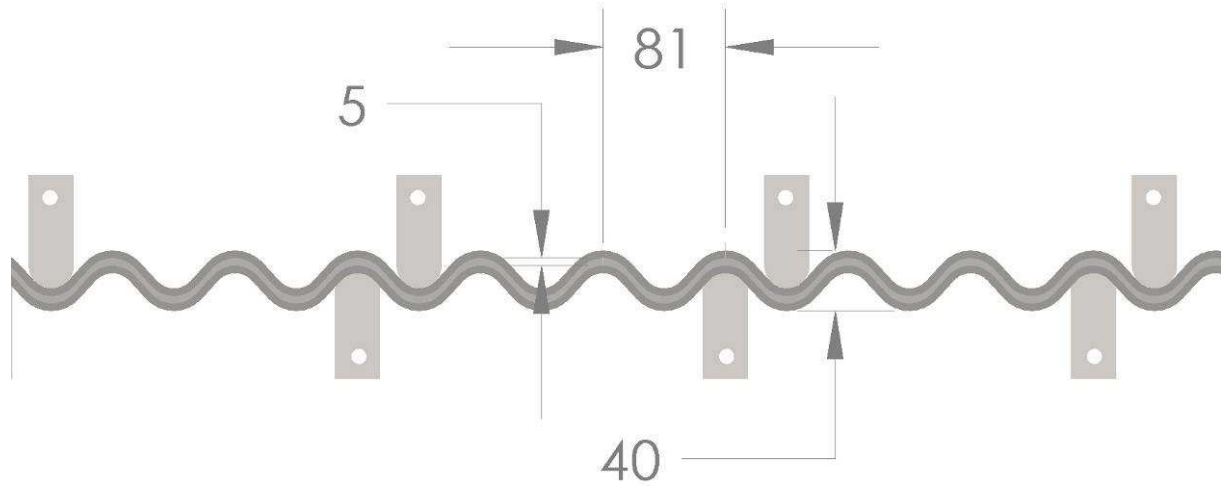
The **HC-Sinus Slide® repair joint** is made of two continuous undulated cold formed profiles in 5 mm thick SJ235JRG2 steel. Between the Sinus steel plates a 5 mm foam is applied. This repair joint is provided with especially designed anchors plates for fixing and levelling the joint out during installation.

The top sides of the profiles are **milled** after being assembled to guarantee practically perfect flatness and straightness. The profiles are connected together using wing bolts with plastic nuts that do not need to be removed after being put in place.

The profile is made in standard lengths of 3 m and is available in heights from 40 to 120 mm.

For a small price surplus we can make custom made lengths of more than 3 meters.





HC-Sinus Slide® repair joint		
Profile height A (mm)	Weight kg/metre	Max metres per pallet
35	3,98	501
50	5,42	315
68	7,17	279
75	7,84	252
90	9,29	216
116	11,79	162