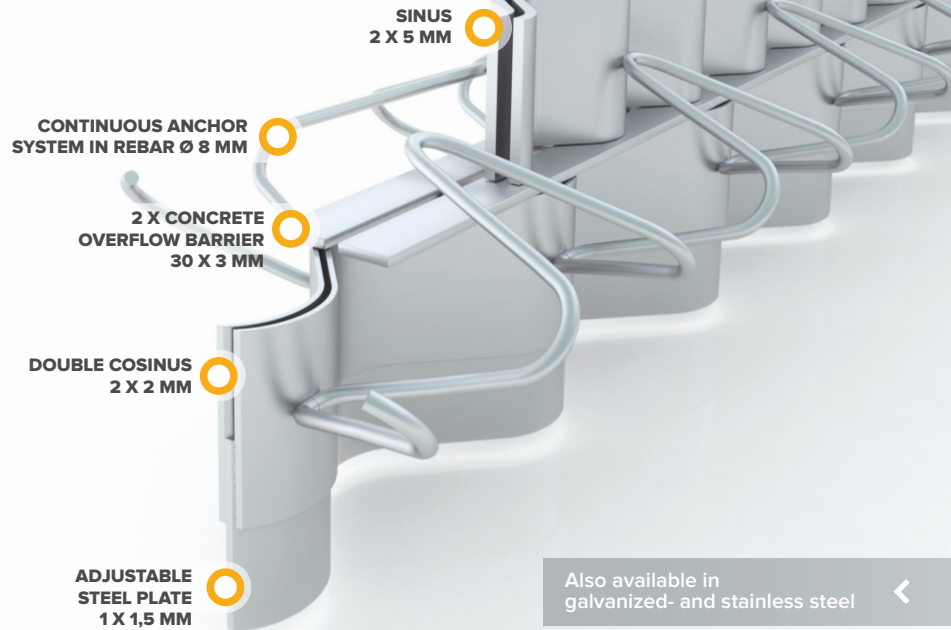


Cosinus Slide®

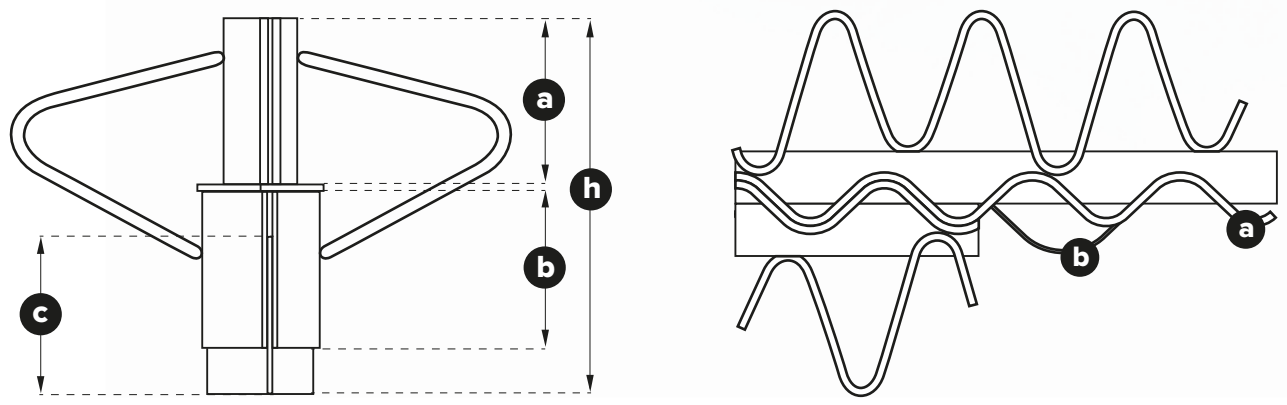
patent pending



Also available in galvanized- and stainless steel <

Profile	Slab thickness	Sinus	Cosinus	Adjustable steel plate	Length	Weight per length	Weight per meter
	h	a	b	c	mm	kg	kg
115/150x5	115-150	60	50	50	2590	28,04	10,82
160/215x5*	160-215	80	75	75	2590	36,06	13,92
205/300x5*	205-300	80	120	120	2590	41,61	16,07

* Both profiles are suitable for floor slabs from 205-215 mm height



Hengelhof Concrete Joints

Hengelhofstraat 158 Zone 1B
 B-3600 Genk
 Tel: +32(0)89 32 39 80
 Fax: +32(0)89 32 39 88
 info@hcjoints.be