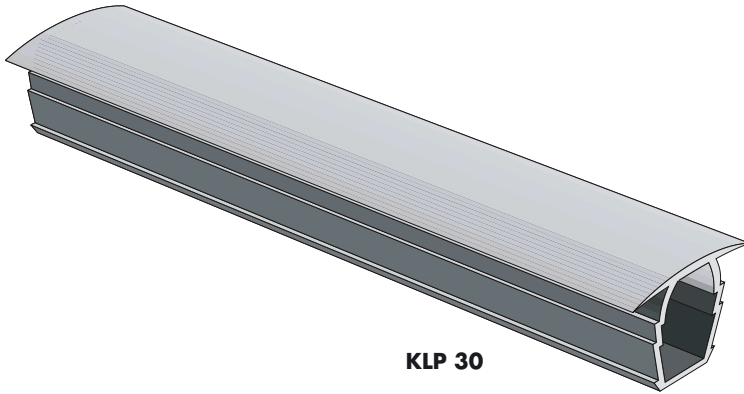
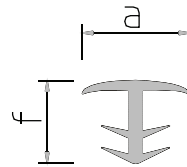
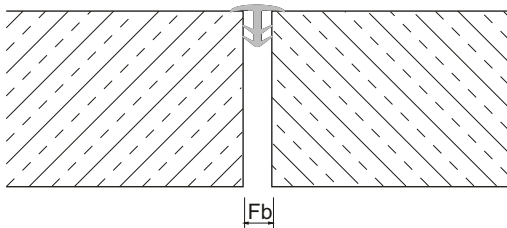


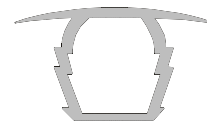
Serie KLP
Series
Klemmprofile
Compression profiles



KLP 30



KLP
15/20/25/35/50/90



KLP 30



KLP 35/60
Ecke/corner



KLP
10/40/60

Typ / type	KLP 10	KLP 15	KLP 20	KLP 25	KLP 30	KLP 35	KLP 40	KLP 50	KLP 60	KLP 90	KLP 35 Ecke	KLP 60 Ecke
a (mm)	17	20	25	30	50	35	60	50	60	90	40	90
f (mm)	20	20	25	30	35	35	40	40	50	60	35	50
F _b (mm)	7-12	9-15	13-17	17-22	19-25	19-25	20-30	25-34	25-30	35-42	19-25	25-30
Material	Nitriflex® nach/to DIN 18541											

Einsatzmöglichkeiten: Fassaden, Wände und Decken

Profilmerkmale: einfache Montage, Abdeckung schadhafter Fugenränder, hohe Rückstellfähigkeit

Applications:

Characteristics of the profile: easy fitting, covering of damaged joint-edges, good recovery properties

facades, walls and ceilings

easy fitting, covering of damaged joint-edges, good recovery properties

Serie KLP-TPE

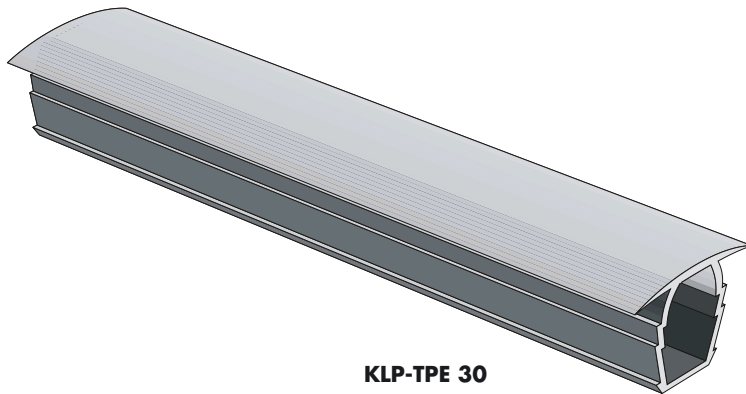
Series

Klemmprofile

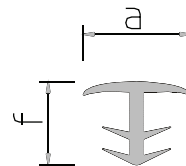
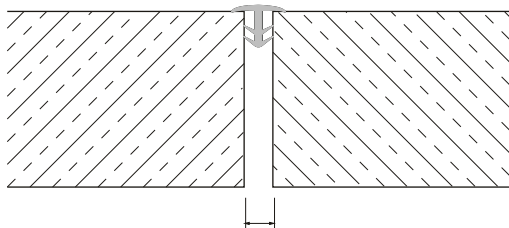
Compression profiles

BESAPLAST®

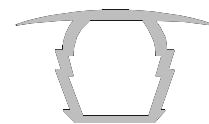
DEFLEX®



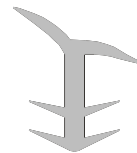
KLP-TPE 30



KLP-TPE
15/20/25/35/50/90



KLP-TPE 30



KLP-TPE 35/60
Ecke/corner



KLP-TPE
10/40/60

Typ / type	KLP-TPE 10	KLP-TPE 15	KLP-TPE 20	KLP-TPE 25	KLP-TPE 30	KLP-TPE 40	KLP-TPE 50	KLP-TPE 60	KLP-TPE 90	KLP-TPE 35 Ecke	KLP-TPE 60 Ecke
a (mm)	17	20	25	30	50	60	50	60	90	40	90
f (mm)	20	20	25	30	35	40	40	50	60	35	50
F _b (mm)	7-12	9-14	13-17	20-25	19-25	19-25	25-35	25-30	35-40	19-24	25-30
Material	thermoplastisches Elastomer/thermoplastic elastomeric (TPE)										

Einsatzmöglichkeiten: Fassaden, Wände und Decken

Profilmerkmale: einfache Montage, Abdeckung schadhafter Fugenränder, hohe Rückstellfähigkeit

Applications:

Characteristics of the profile:

facades, walls and ceilings

easy fitting, covering of damaged joint-edges, good recovery properties